



**JAY R. SMITH MFG. CO.**  
MEMBER OF MORRIS GROUP INTERNATIONAL



## Stainless Steel Threshold Drain™

For use in front of elevators, doorways, stairways and similar applications to receive and drain water with flow rates up to 100 GPM.



Fig. No. 9679

### FEATURES AND BENEFITS

- Complies with 2013 California Building Code 403.6.1, 403.6.2, 3007.4, 3008.4
- Complies with San Francisco Fire Code, Section 511.1.4
- 3007.3 Water protection. The occupant evacuation elevator hoistway and associated elevator landings shall be designed by an approved method to prevent water from infiltrating into the shaft enclosure
- For use in front of elevator doors and similar applications
- Complies with 2013 CA building code 403.6.1, 3007.4
- Third party certified to 100 gpm flow rate
- ADA compliant
- Heel proof
- 1 3/4" deep does not disturb post-tension slabs
- 304 Stainless Steel
- Removable grating

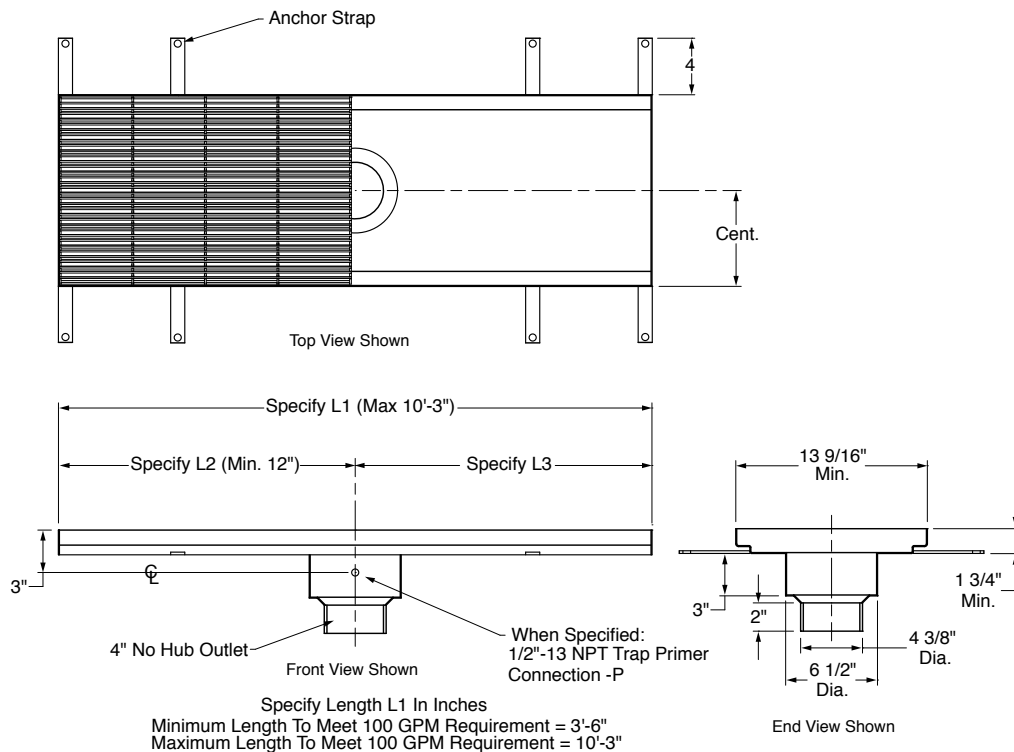


Patent #10,167,621

# Stainless Steel Threshold Drain™



The Jay R. Smith Mfg. Co. Figure number 9679 Threshold Drain™ is engineered to be in compliance with current building codes addressing fire service access elevators that require protection from water that could enter the elevator shaft during a fire. The 9679 threshold drain is certified to flow 100 gpm with an ADA compliant grate. The threshold drain can be manufactured to custom lengths to meet facility requirements.



**Option A** - without flange

**Option B** - flange w/clamping collar and weep holes



**JAY R. SMITH MFG. CO.®**  
MEMBER OF MORRIS GROUP INTERNATIONAL

P.O. Box 3237 • Montgomery, AL 36109  
TEL: 334.277.8520

[www.jrsmith.com](http://www.jrsmith.com)



ADA Compliant/  
Heel Proof Grate